

# MITSUBISHI WIND TURBINE GENERATOR

# MWT 100/2.4



## Technical Data

### Operation Data

Cut-in	3.0 m/s
Rated	12.0 m/s
Cut-out	25.0 m/s
Wind Class	IEC Class II A

### Rotor

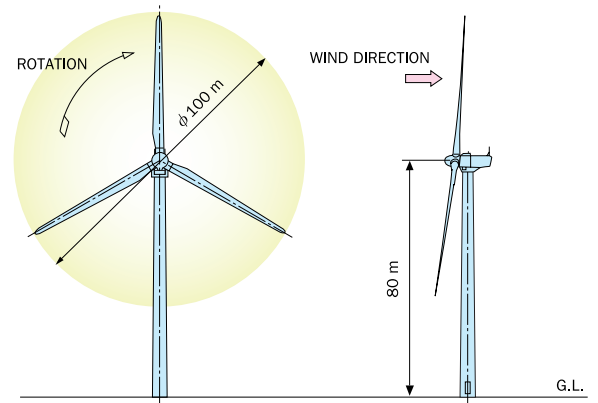
Diameter	100 m
Swept Area	7,854 m <sup>2</sup>
Rotational Speed (rated)	15.0 rpm
Rotational Speed (interval)	9.0 ~ 16.9 rpm (variable)
Blade Length	48.7 m
Aerodynamic Brake	Individual Pitch Brake

### Generator

Type	Doubly Fed Asynchronous Generator + IGBT Converter
Rated Power	2,400 kW
Voltage	690 V
Frequency	50 Hz/60 Hz
Power Factor Range	0.9 (inductive) ~ 0.95 (capacitive)

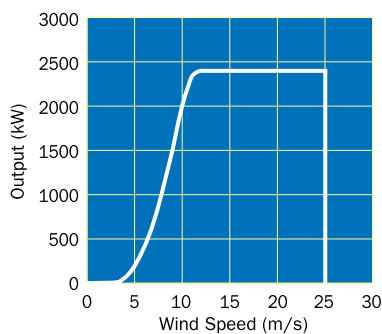
### Tower

Hub Height	80 m
------------	------



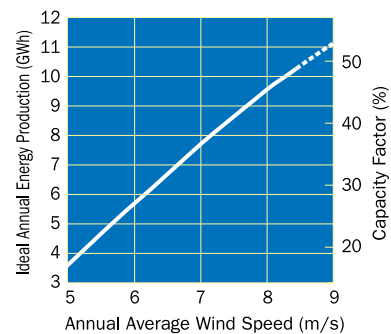
## Impressive Performance

Power Curve



- Air Density: 1.225 kg/m<sup>3</sup>
- Wind conditions with 10% turbulence
- Calculated at the output of inverter

Ideal Annual Energy Production and Capacity Factor



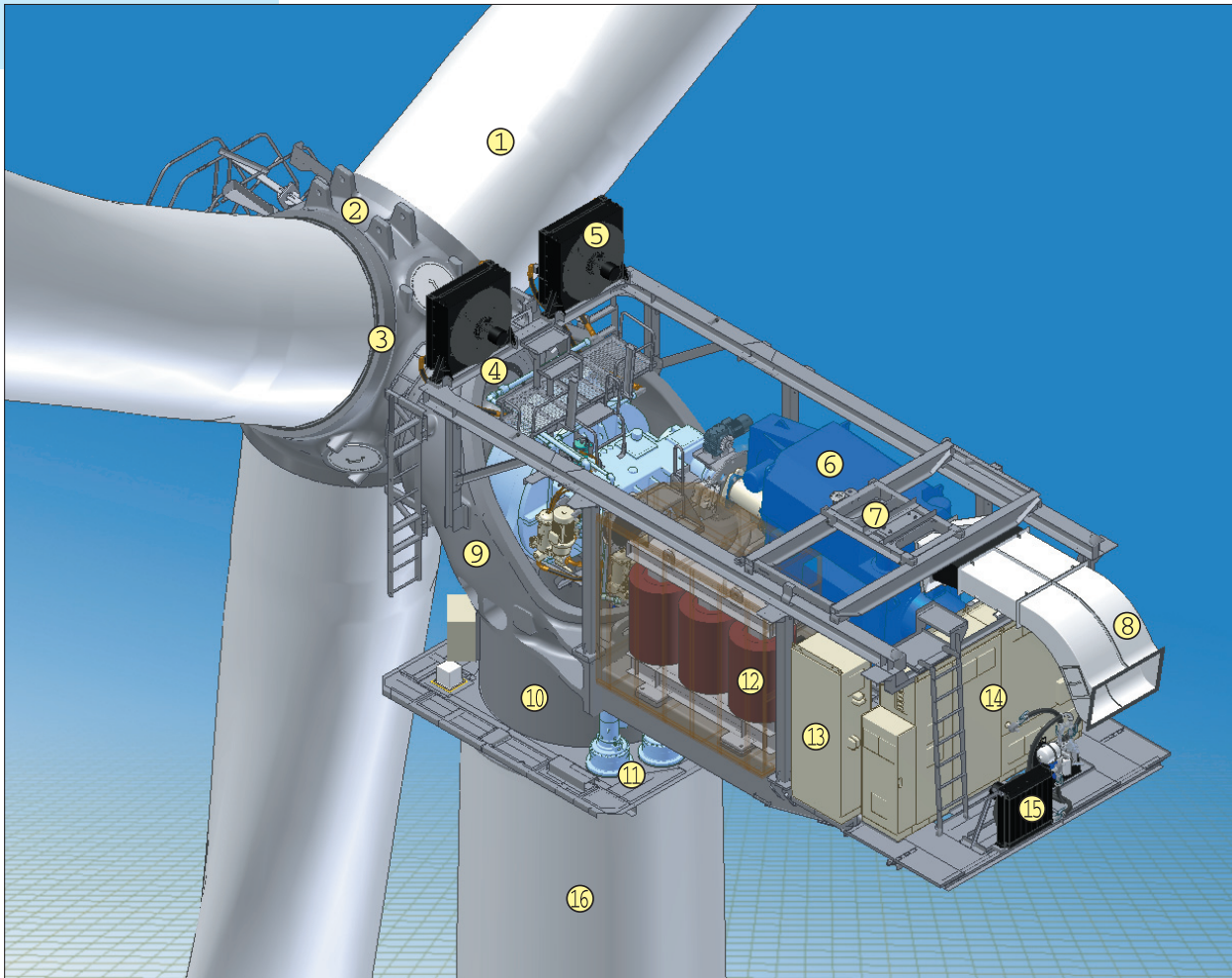
- Calculated on Rayleigh distribution
- Calculated at the output of inverter
- Site conditions may vary capacity factor

Superior Technology for A Brighter Future

MITSUBISHI WIND TURBINE GENERATOR

MWT100/2.4

- High performance in moderate wind speed area (IEC Class IIA)
- Individual pitch control



### Schematic Diagram

- |                 |                              |                     |                       |
|-----------------|------------------------------|---------------------|-----------------------|
| ① Blade         | ⑤ Oil Cooler                 | ⑨ Nacelle Bed Plate | ⑬ Control Panel       |
| ② Hub           | ⑥ Generator                  | ⑩ Yaw Bearing       | ⑭ Inverter            |
| ③ Blade Bearing | ⑦ Service Winch              | ⑪ Yaw Gear          | ⑮ Cooler for Inverter |
| ④ Main Bearing  | ⑧ Exhaust Duct for Generator | ⑫ Transformer       | ⑯ Tower               |



**MITSUBISHI HEAVY INDUSTRIES, LTD.**

Power Systems Headquarters, Renewable Energy Business Division,  
Wind Turbine Business Unit

3-1, Minatomirai 3-chome, Nishi-ku, Yokohama 220-8401, Japan

Phone: +81-45-200-7910 Fax: +81-45-200-7738

URL: <http://www.mhi.co.jp>



#### <North America>

##### Mitsubishi Power Systems, Inc. (MPS)

100 Colonial Center Parkway, Lake Mary,  
FL 32746, U.S.A.

Phone: +1-407-688-6100 Fax: +1-407-688-6481

URL: <http://www.mpshq.com>

##### Los Angeles Office

100 Bayview Circle, Suite 6000  
Newport Beach, CA 92660, U.S.A.

Phone: +1-949-856-8400 Fax: +1-949-856-4481, 4482

#### <Europe>

##### Mitsubishi Power Systems Europe, Ltd. (MPSE)

20 North Audley Street London W1K 6WL, UK

Phone: +44-20-7647-0820 Fax: +44-20-7491-4558

##### Hamburg Office

Gustav-Mahler-Platz 1, 20354 Hamburg, Germany

Phone: +49-40-3770-7820 Fax: +49-40-3770-78298