

MITSUBISHI WIND TURBINE GENERATOR

MWT95/2.4



Technical Data

Operation Data

Cut-in	3.0 m/s
Rated	12.5 m/s
Cut-out	25.0 m/s
Wind Class	IEC Class II A

Rotor

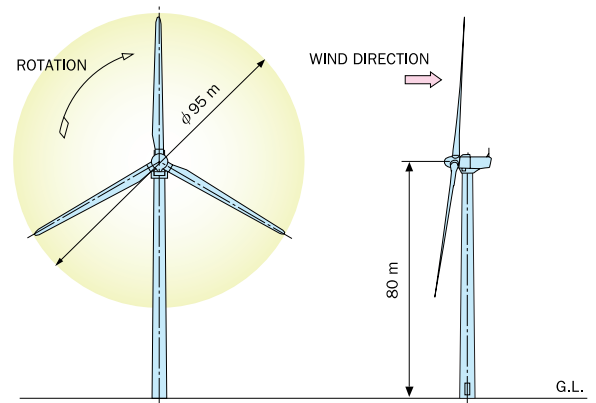
Diameter	95 m
Swept Area	7,088 m ²
Rotational Speed (rated)	15.0 rpm
Rotational Speed (interval)	9.0 ~ 16.9 rpm (variable)
Blade Length	46.2 m
Aerodynamic Brake	Individual Pitch Brake

Generator

Type	Doubly Fed Asynchronous Generator + IGBT Converter
Rated Power	2,400 kW
Voltage	690 V
Frequency	50 Hz/60 Hz
Power Factor Range	0.9 (inductive) ~ 0.95 (capacitive)

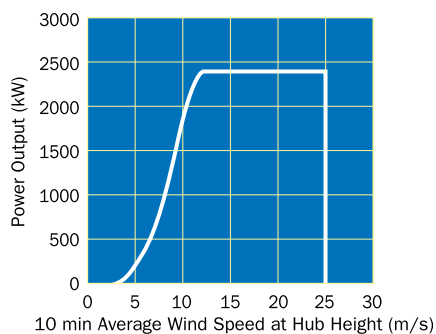
Tower

Hub Height	80 m
------------	------



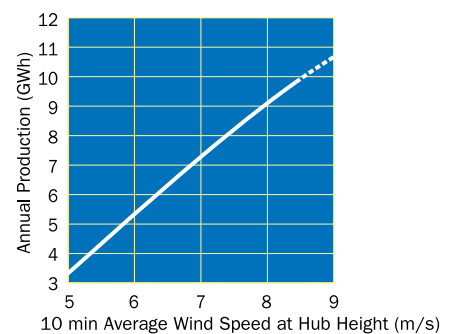
Impressive Performance

Power Curve



- Air Density: 1.225 kg/m³
- Wind conditions with 10% turbulence
- Calculated at the output of inverter

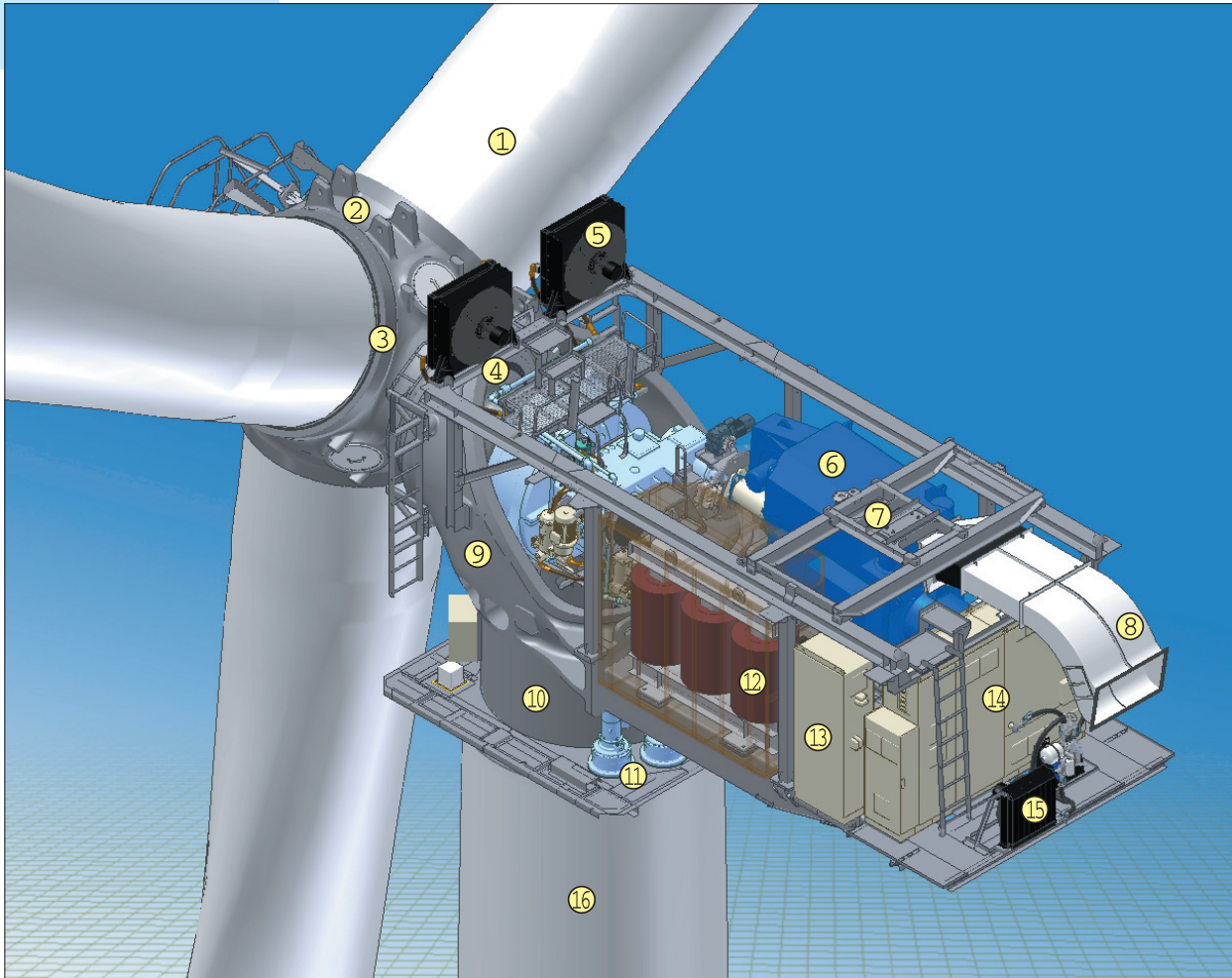
Ideal Annual Energy Production and Capacity Factor



- Calculated on Rayleigh distribution
- Calculated at the output of inverter
- Site conditions may vary capacity factor

Superior Technology for A Brighter Future
MITSUBISHI WIND TURBINE GENERATOR
MWT95/2.4

- High performance in moderate wind speed area (IEC Class IIA)
- Individual pitch control



Schematic Diagram

- | | | | |
|-----------------|------------------------------|---------------------|-----------------------|
| ① Blade | ⑤ Oil Cooler | ⑨ Nacelle Bed Plate | ⑬ Control Panel |
| ② Hub | ⑥ Generator | ⑩ Yaw Bearing | ⑭ Inverter |
| ③ Blade Bearing | ⑦ Service Winch | ⑪ Yaw Gear | ⑮ Cooler for Inverter |
| ④ Main Bearing | ⑧ Exhaust Duct for Generator | ⑫ Transformer | ⑯ Tower |



MITSUBISHI HEAVY INDUSTRIES, LTD.

Power Systems Headquarters, Renewable Energy Business Division,
 Wind Turbine Business Unit

3-1, Minatomirai 3-chome, Nishi-ku, Yokohama 220-8401, Japan

Phone: +81-45-200-7910 Fax: +81-45-200-7738

URL: <http://www.mhi.co.jp>



<North America>

Mitsubishi Power Systems, Inc. (MPS)

100 Colonial Center Parkway, Lake Mary,
 FL 32746, U.S.A.

Phone: +1-407-688-6100 Fax: +1-407-688-6481

URL: <http://www.mpsHQ.com>

Los Angeles Office

100 Bayview Circle, Suite 6000
 Newport Beach, CA 92660, U.S.A.

Phone: +1-949-856-8400 Fax: +1-949-856-4481, 4482

<Europe>

Mitsubishi Power Systems Europe, Ltd. (MPSE)

20 North Audley Street London W1K 6WL, UK

Phone: +44-20-7647-0820 Fax: +44-20-7491-4558

Hamburg Office

Gustav-Mahler-Platz 1, 20354 Hamburg, Germany

Phone: +49-40-3770-7820 Fax: +49-40-3770-78298